

BRUNY

SOFA BED

**Sofa to Sleeper.
Configured your way.**

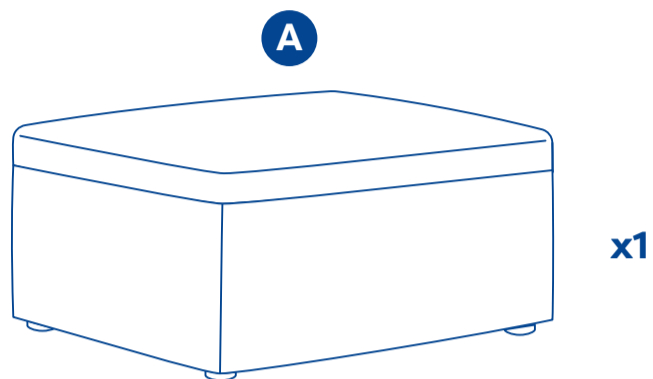


ecosia

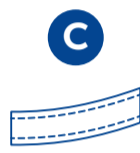
WHAT'S INSIDE THE BOX?

ARMLESS MODULE

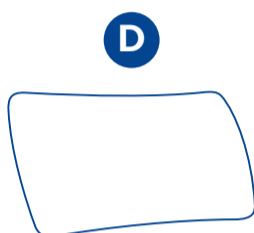
BOX
1
/2



x4



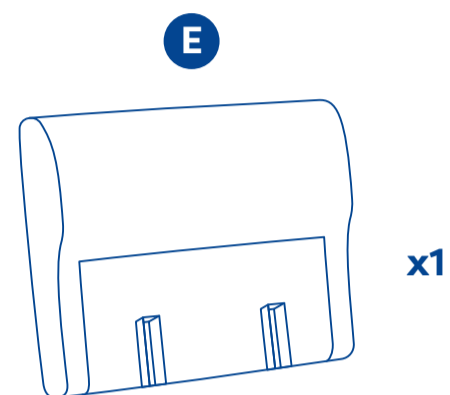
x1



x1

Note: The cushion and the cushion cover are packed separately inside the seat frame.

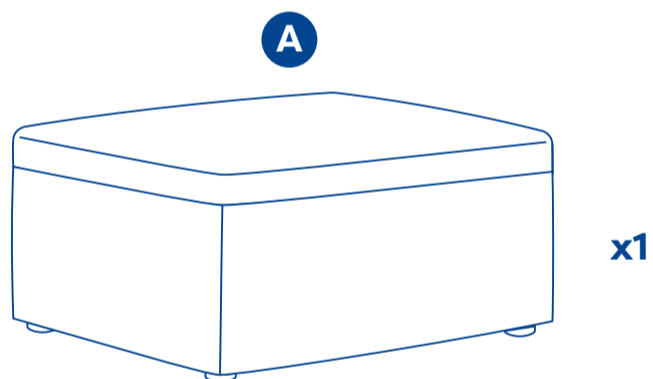
BOX
2
/2



x1

CORNER MODULE

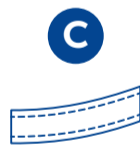
BOX
1
/2



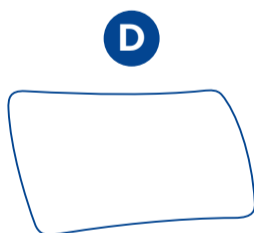
x1



x4



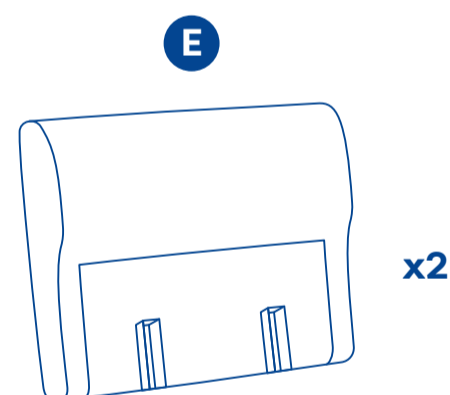
x1



x1

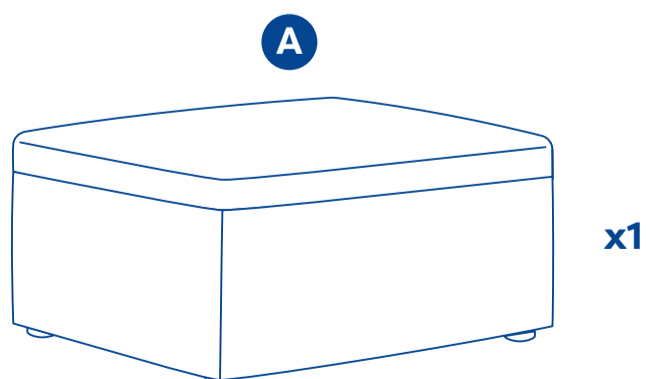
Note: The cushion and the cushion cover are packed separately inside the seat frame.

BOX
2
/2



x2

OTTOMAN



x1



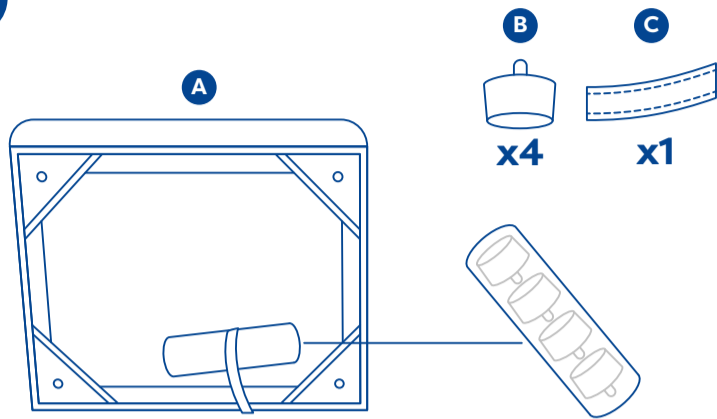
x4



x1

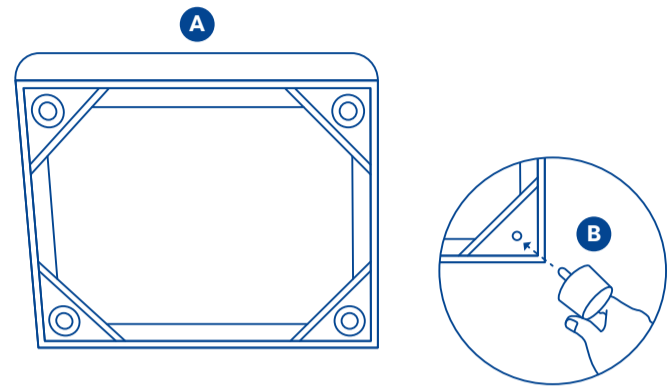
ARMLESS MODULE

1



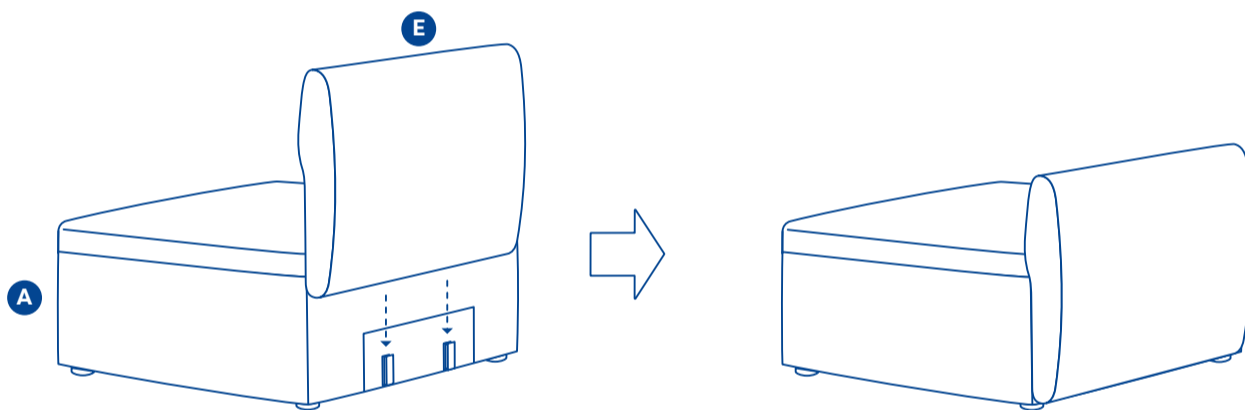
Unbox the armless and carefully remove all pieces from inside the seat frame (A). Ensure you don't miss the legs (B), which are wrapped in EPE film with a red ribbon.

2



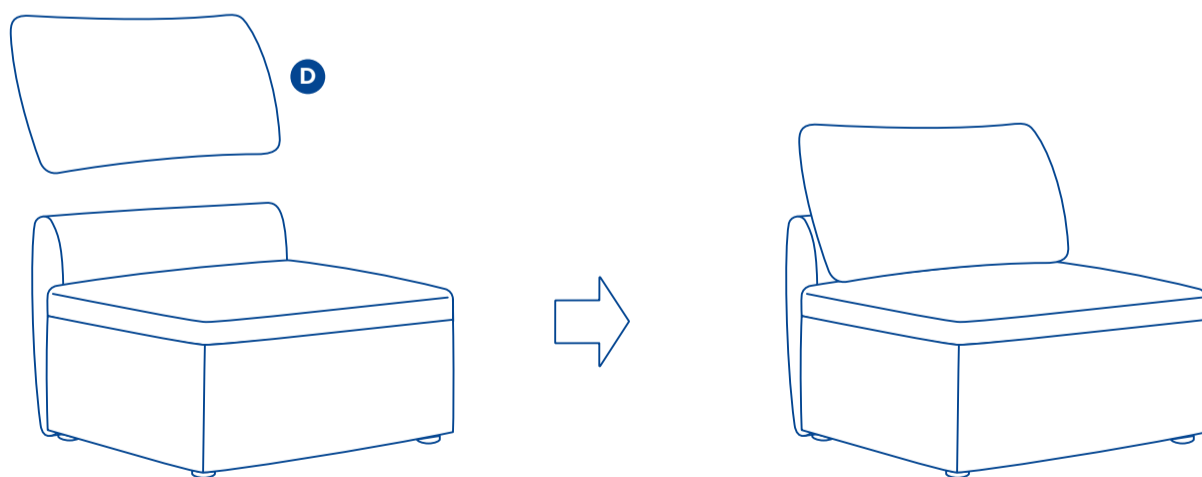
Screw the legs (B) securely onto each corner of the seat frame (A).

3



Insert the arm (E) onto the back of the seat frame (A).

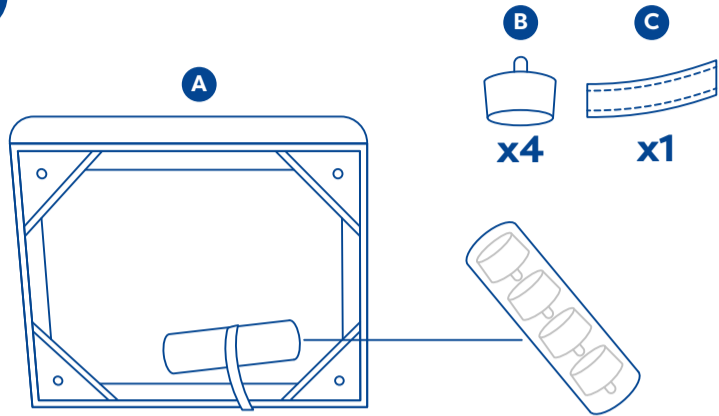
4



Insert the cushion into the cover, then position the backrest cushion (D).

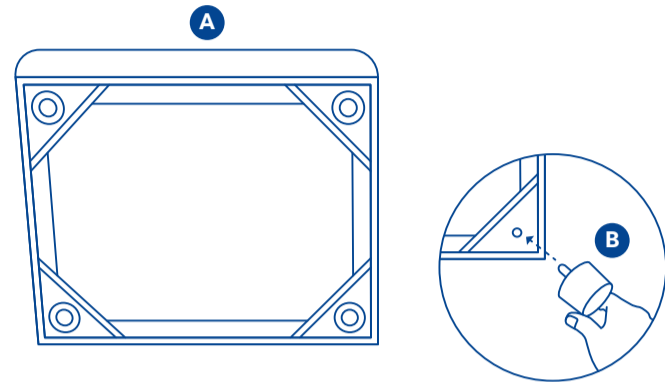
CORNER MODULE - LEFT/RIGHT

1



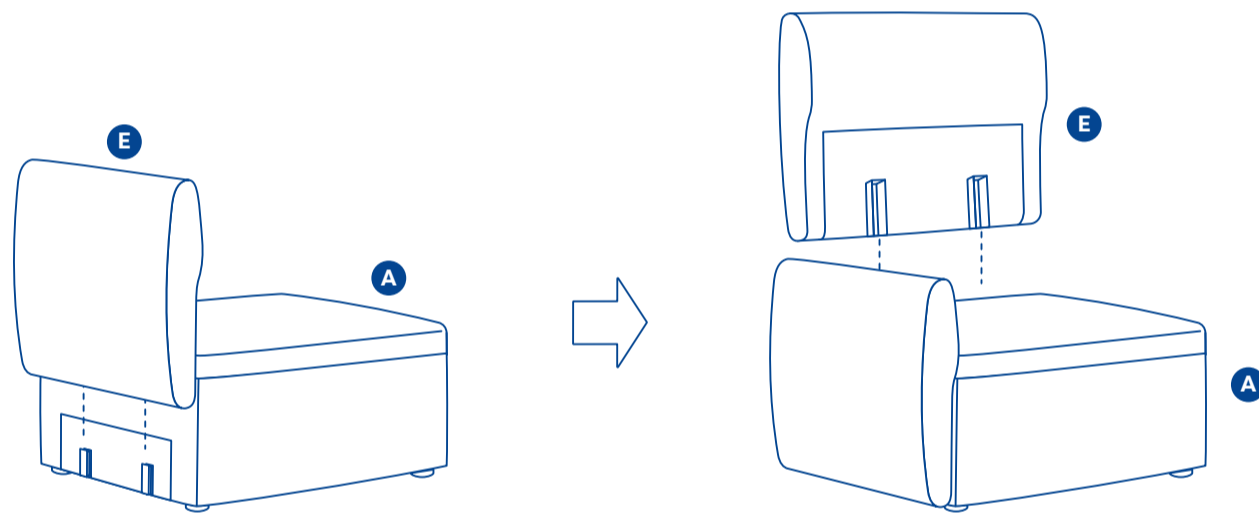
Unbox the corner sofa and carefully remove all pieces from inside the seat frame (A). Ensure you don't miss the legs (B), which are wrapped in EPE film with a red ribbon.

2



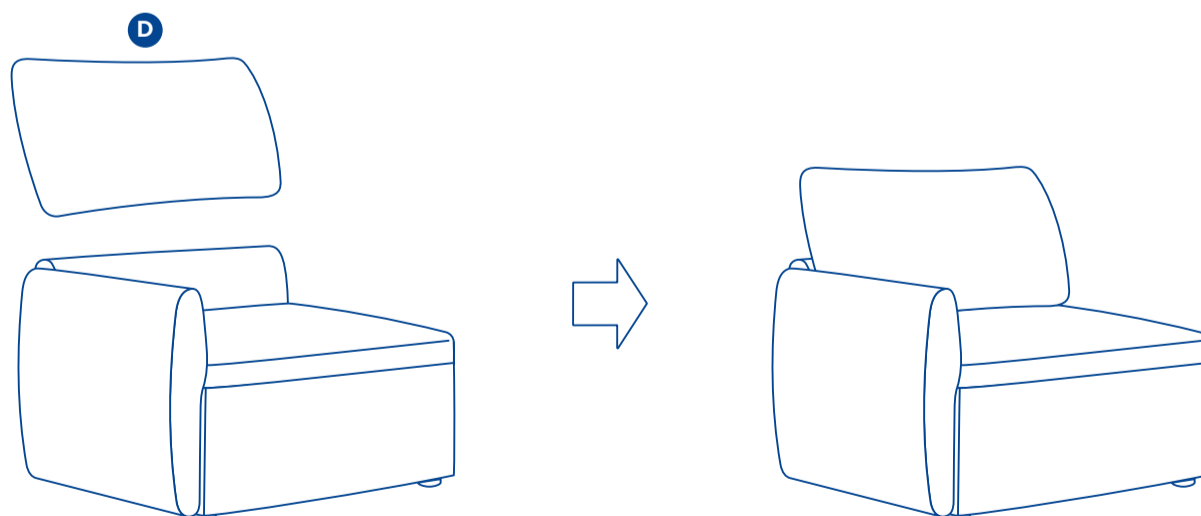
Screw the legs (B) securely onto each corner of the seat frame (A).

3



Insert the two arms (E) onto the seat frame (A), placing one on the side and the other at the back.

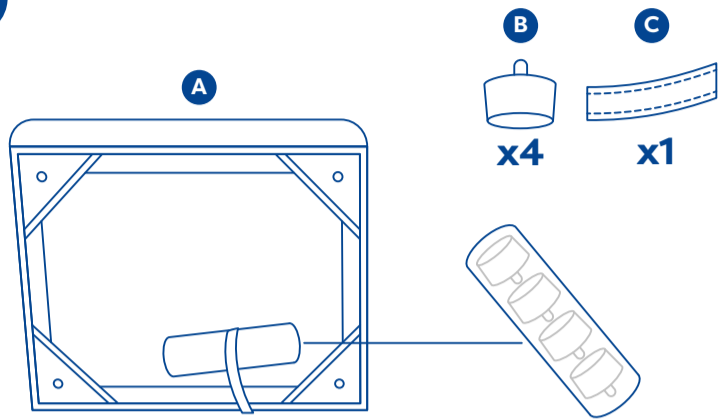
4



Insert the cushion into the cover, then position the backrest cushion (D).

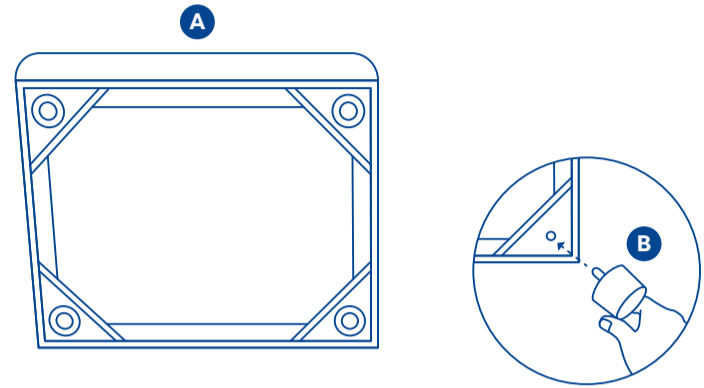
OTTOMAN

1



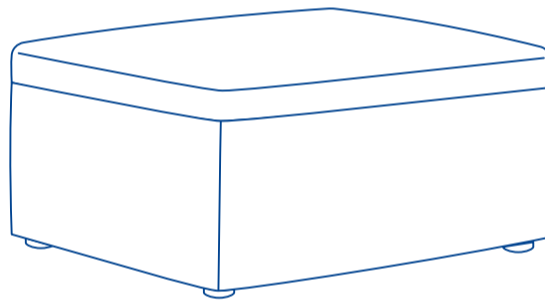
Unbox the ottoman and carefully remove all pieces from inside the seat frame (A). Ensure you don't miss the legs (B), which are wrapped in EPE film with a red ribbon.

2



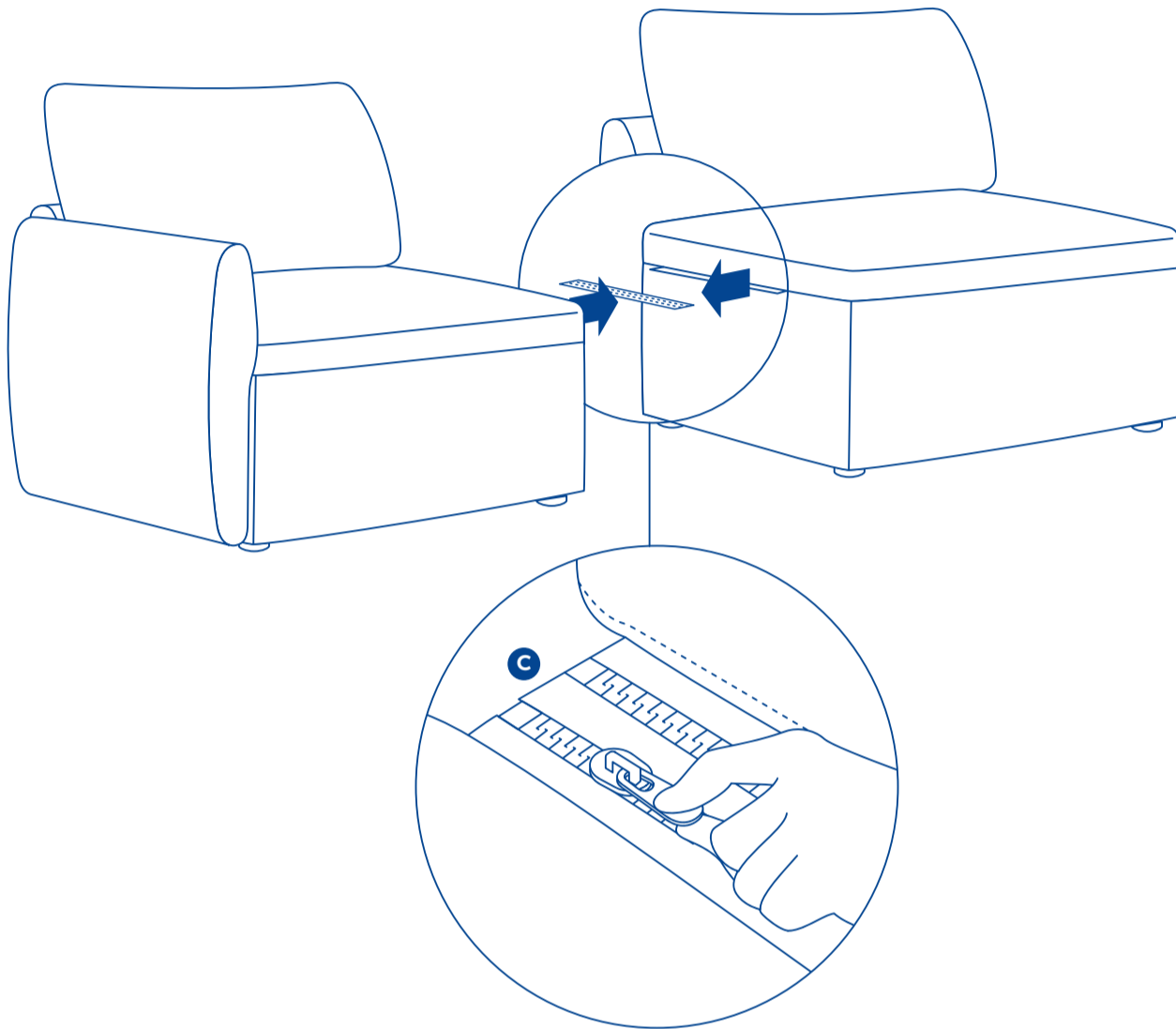
Screw the legs (B) securely onto each corner of the seat frame (A).

3



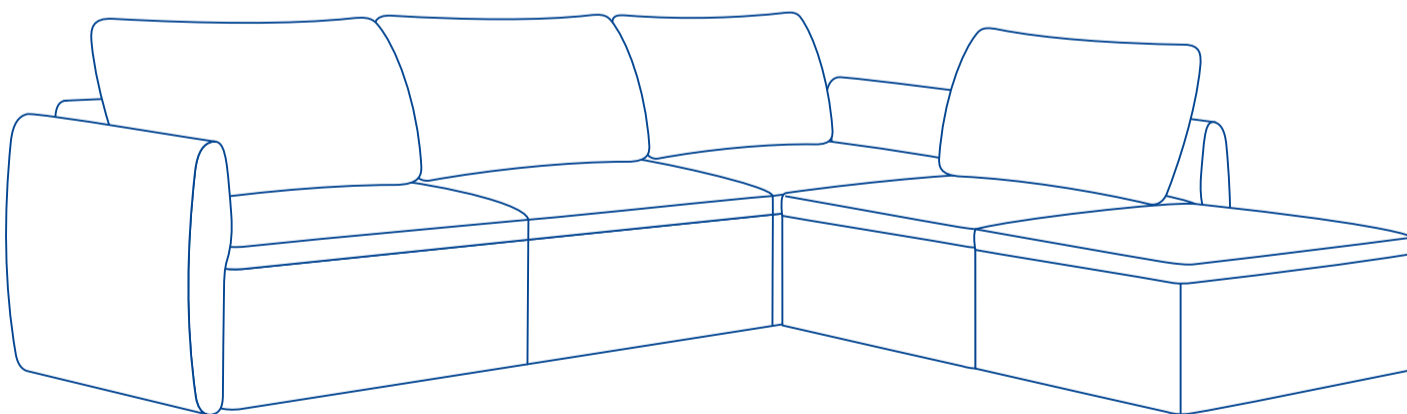
LINKING THE SOFA BED

1



Connect each seat by using fabric strip(C) and zip them together.

2

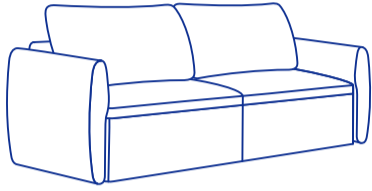


Congratulations! Enjoy your sofa and the combinations it allows into creating a bed.

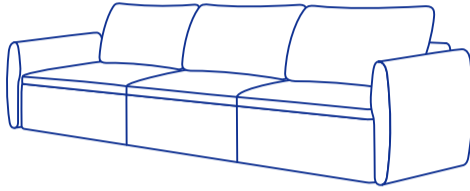
Please note that the seat cushion and backrest cushion are filled with a combination of feather and fibre. To maintain their shape and comfort, we recommend frequently fluffing and patting the cushions after sitting. This simple care routine will keep your cushions looking and feeling their best.

SOFA BED CONFIGURATIONS

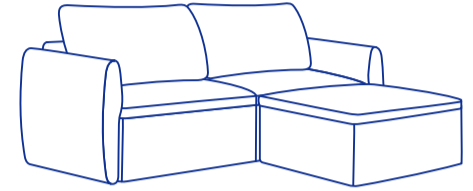
2x Corner Module



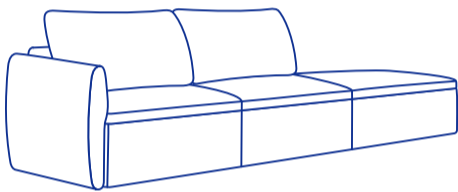
2x Corner Module
1x Armless Module



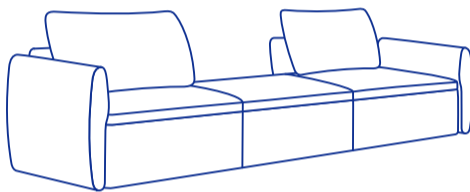
2x Corner Module
1x Ottoman



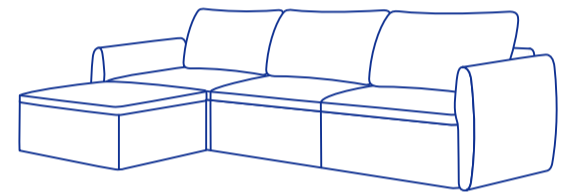
1x Corner Module
1x Armless Module
1x Ottoman



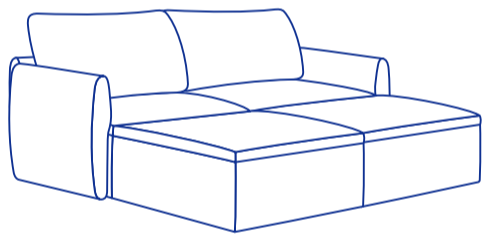
2x Corner Module
1x Ottoman



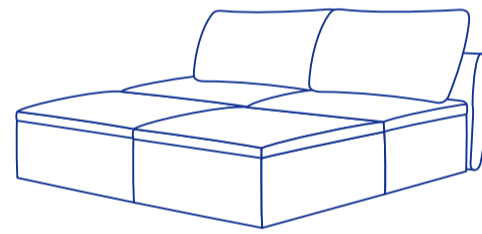
2x Corner Module
1x Armless Module
1x Ottoman



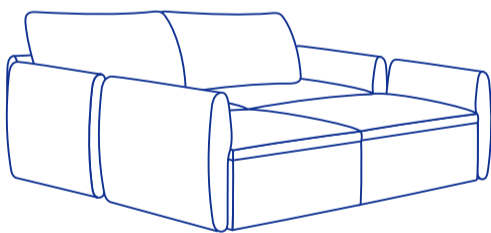
2x Corner Module
2x Ottoman



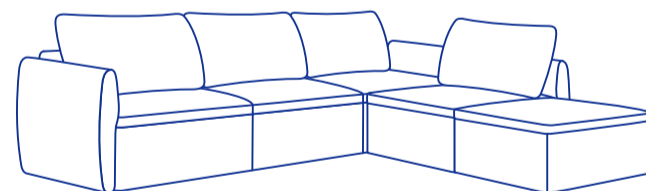
2x Armless Module
2x Ottoman



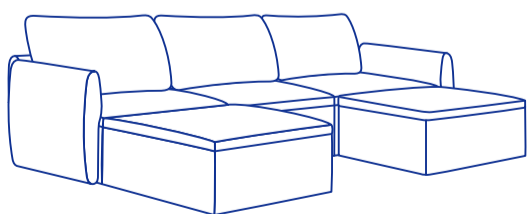
2x Corner Module
2x Armless Module



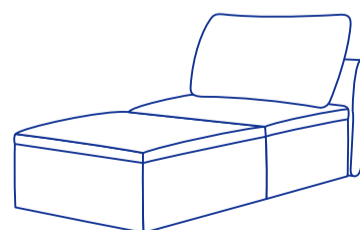
2x Corner Module
2x Armless Module
1x Ottoman

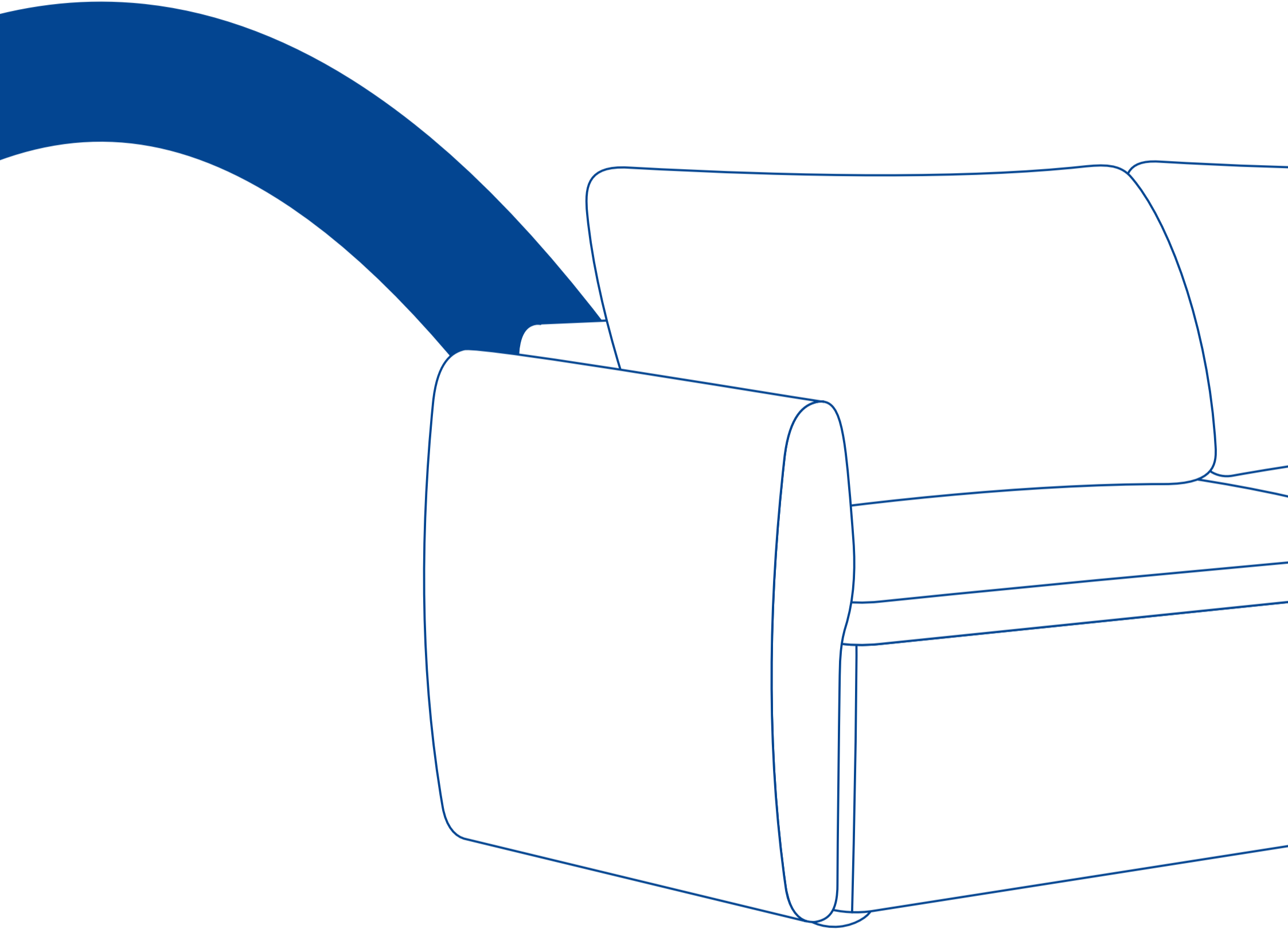


2x Corner Module
1x Armless Module
2x Ottoman



1x Armless Module
1x Ottoman





ecosa .co.nz .com.hk
.com.au .com/ca