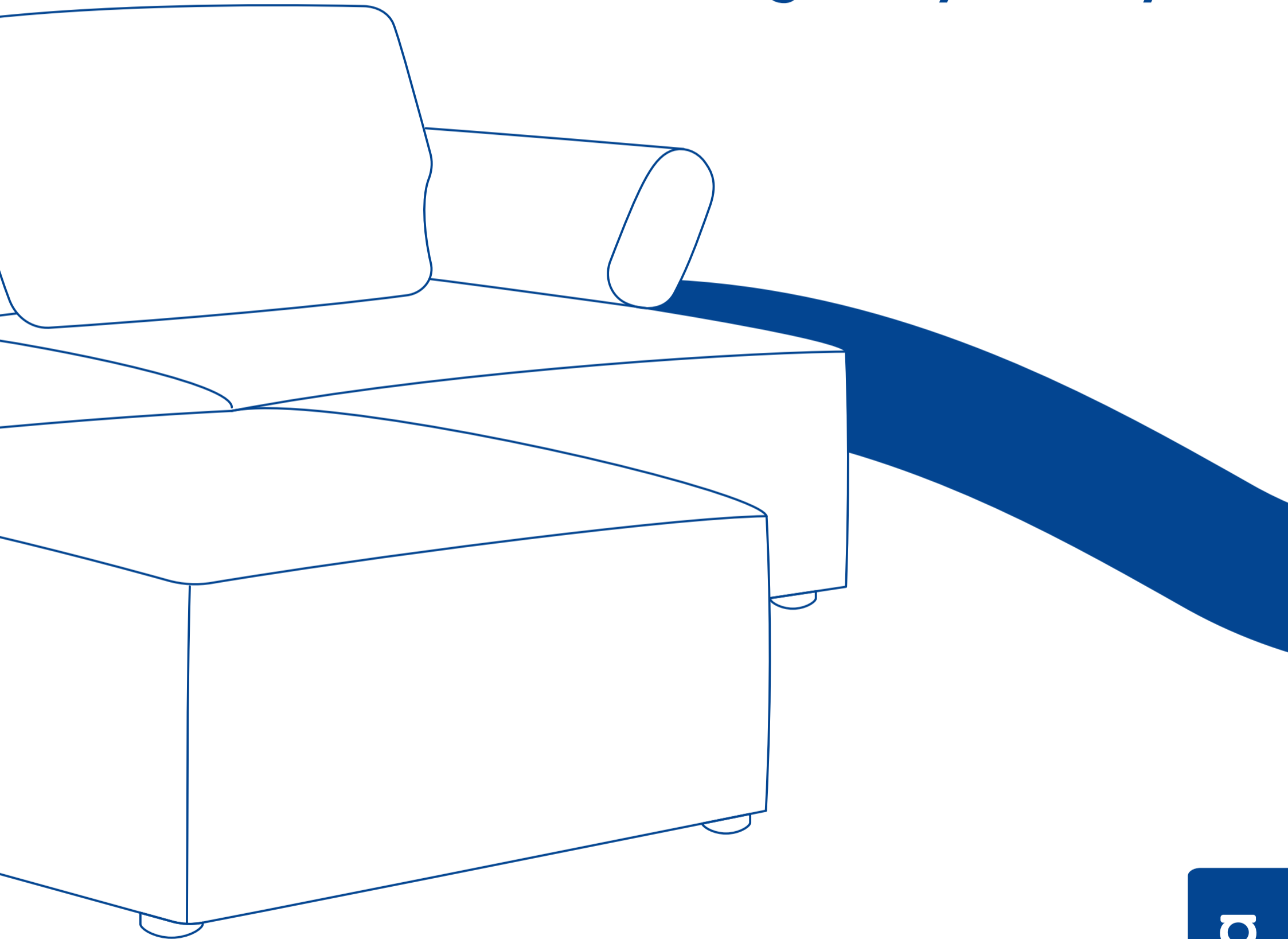


BRAMPTON

SOFA BED

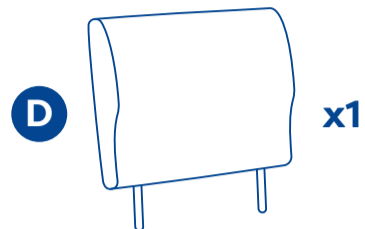
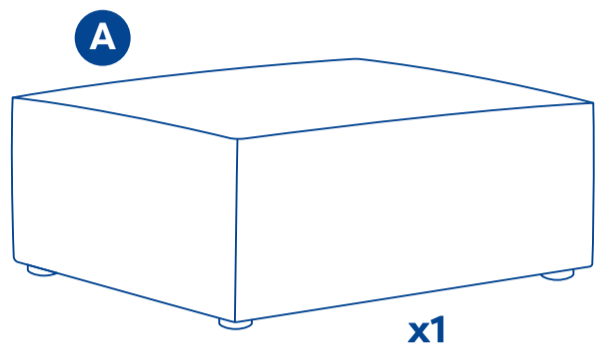
**Sofa to Sleeper.
Configured your way.**



ecosa

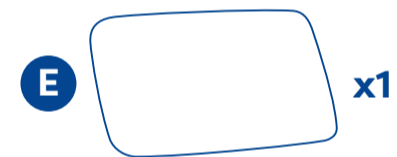
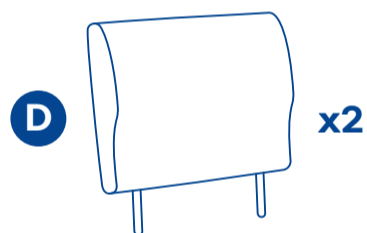
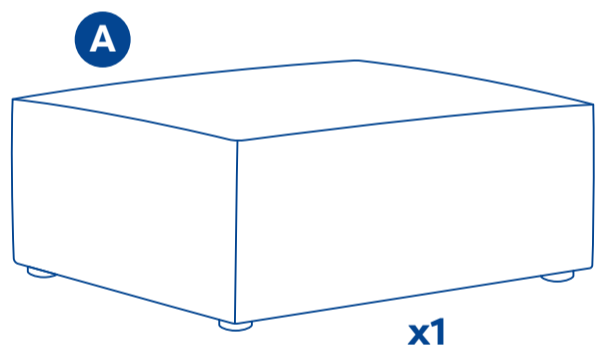
WHAT'S INSIDE THE BOX?

ARMLESS MODULE



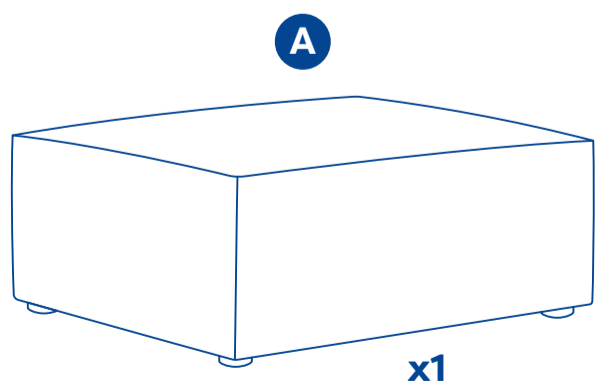
Note: The cushions and their covers are packed separately inside the seat frame.

CORNER MODULE



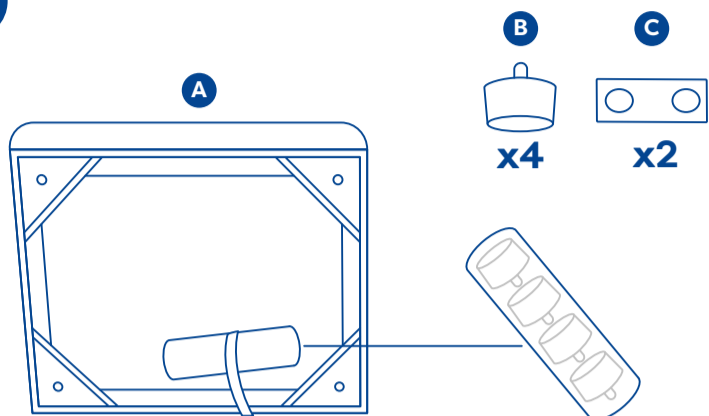
Note: The cushions and their covers are packed separately inside the seat frame.

OTTOMAN



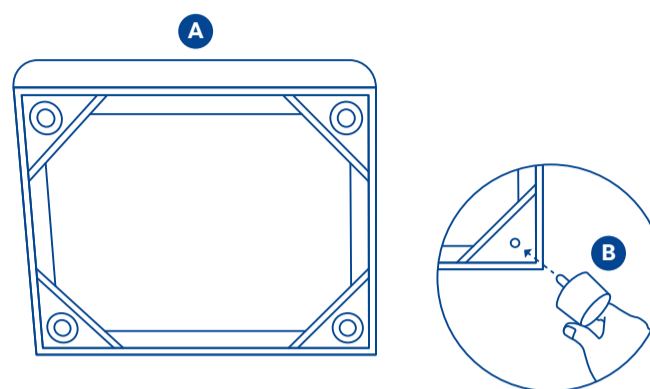
ARMLESS MODULE

1



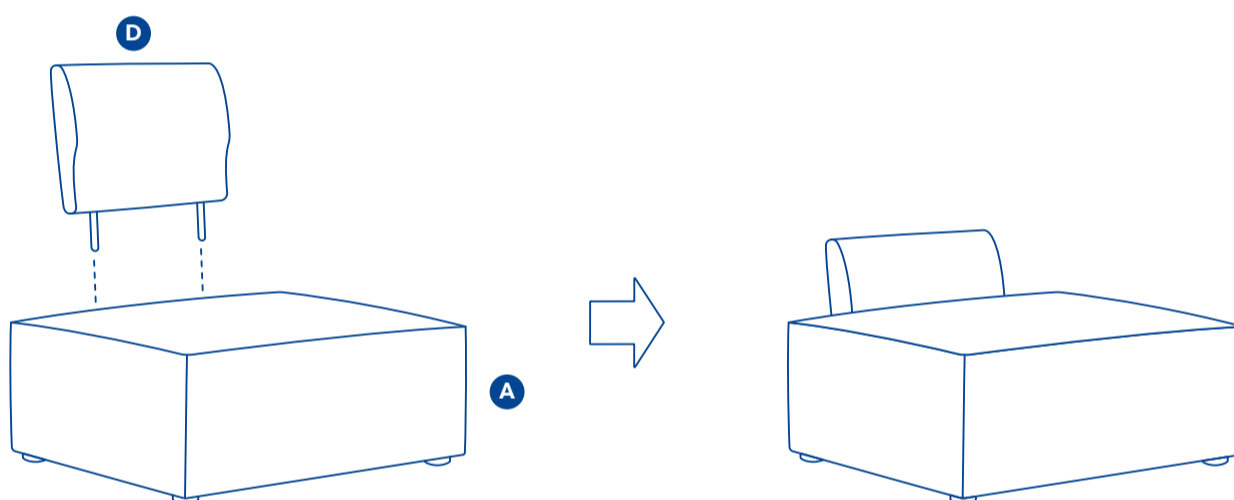
Unbox the armless sofa and carefully remove all pieces from inside the seat frame (A). Ensure you don't miss the legs (B), which are wrapped in EPE film with a red ribbon.

2



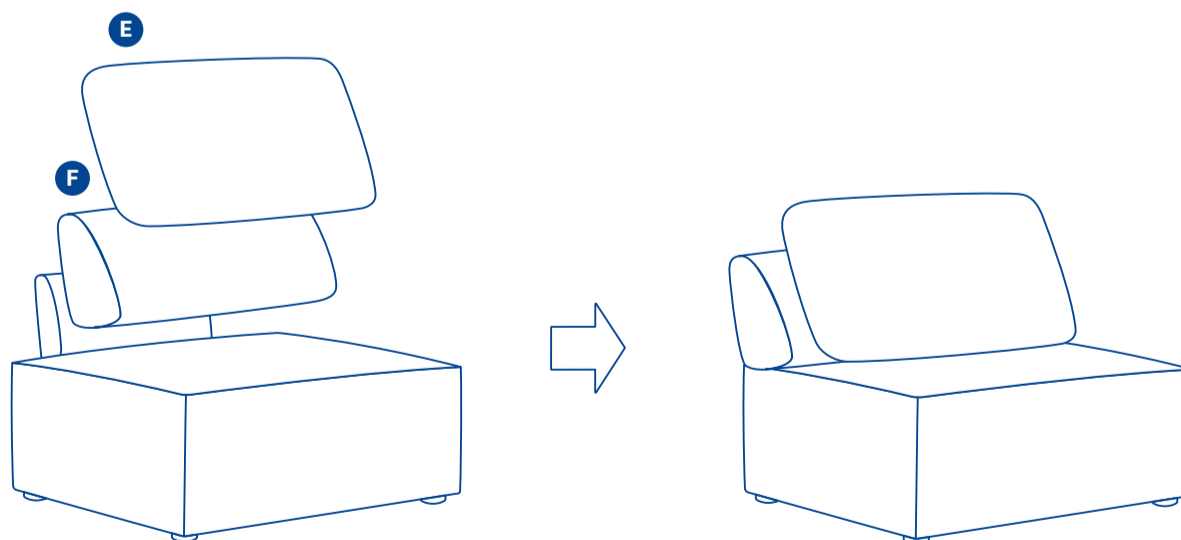
Screw the legs (B) securely onto each corner of the seat frame (A).

3



Insert the arm(D) on to the back of seat frame(A).

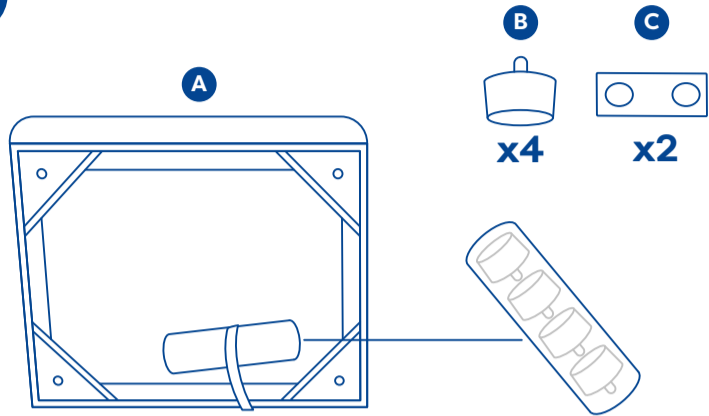
4



Insert the cushions into their covers, then position the backrest cushion (F) securely in place, followed by the back cushion (E).

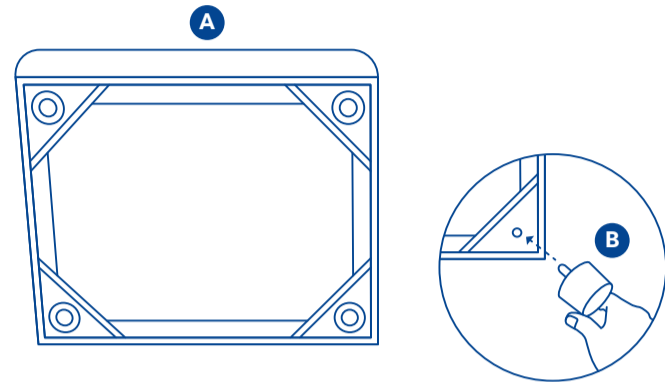
CORNER MODULE - LEFT/RIGHT

1



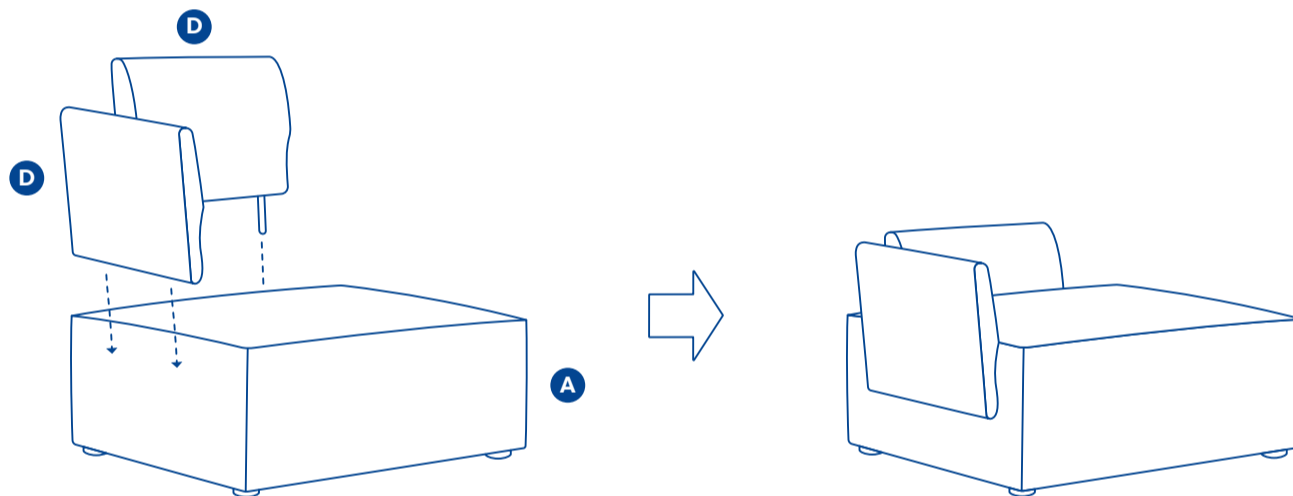
Unbox the corner sofa and carefully remove all pieces from inside the seat frame (A). Ensure you don't miss the legs (B), which are wrapped in EPE film with a red ribbon.

2



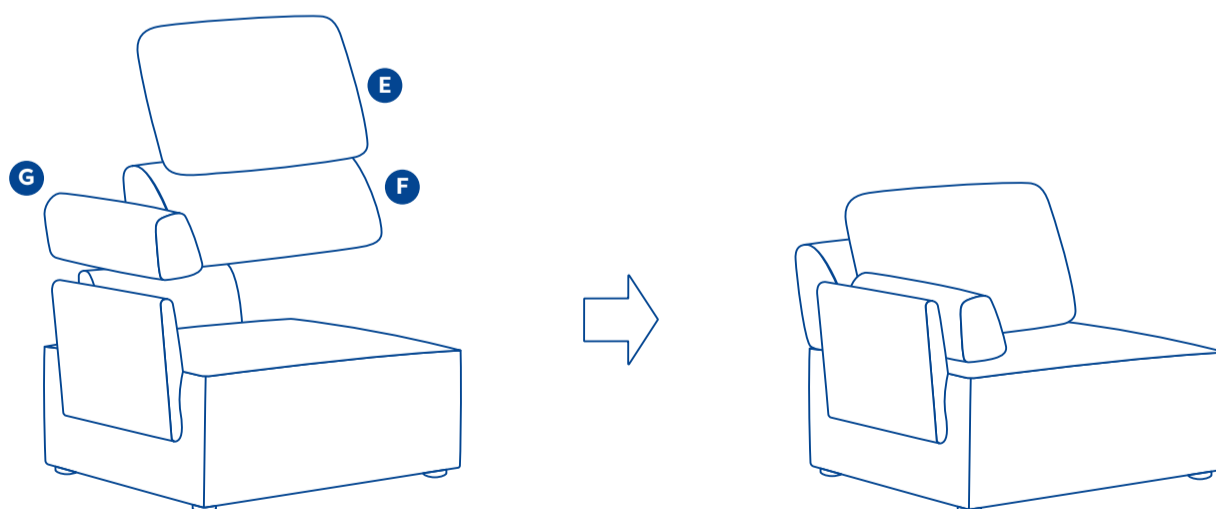
Screw the legs (B) securely onto each corner of the seat frame (A).

3



Insert the two arms (D) onto the seat frame (A), placing one on the side and the other at the back.

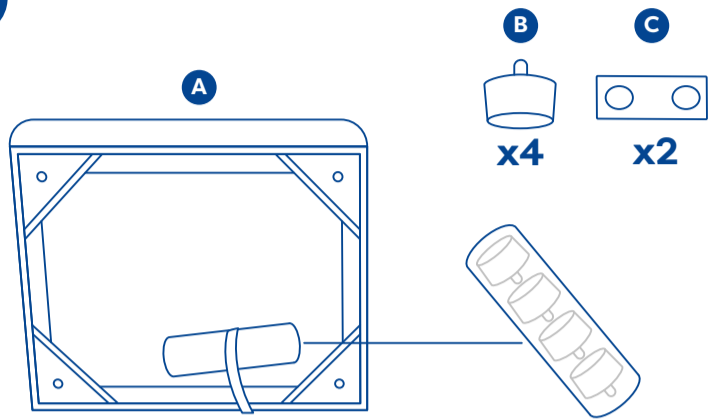
4



Insert the cushions into their covers, then position the backrest cushion (F) securely in place, followed by the back cushion (E) and the armrest cushion (G).

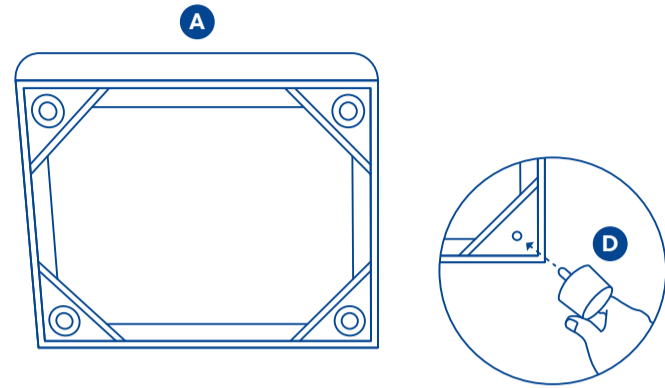
OTTOMAN

1



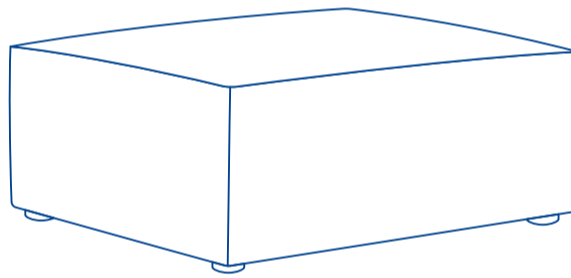
Unbox the ottoman and carefully remove all pieces from inside the seat frame (A). Ensure you don't miss the legs (B), which are wrapped in EPE film with a red ribbon.

2



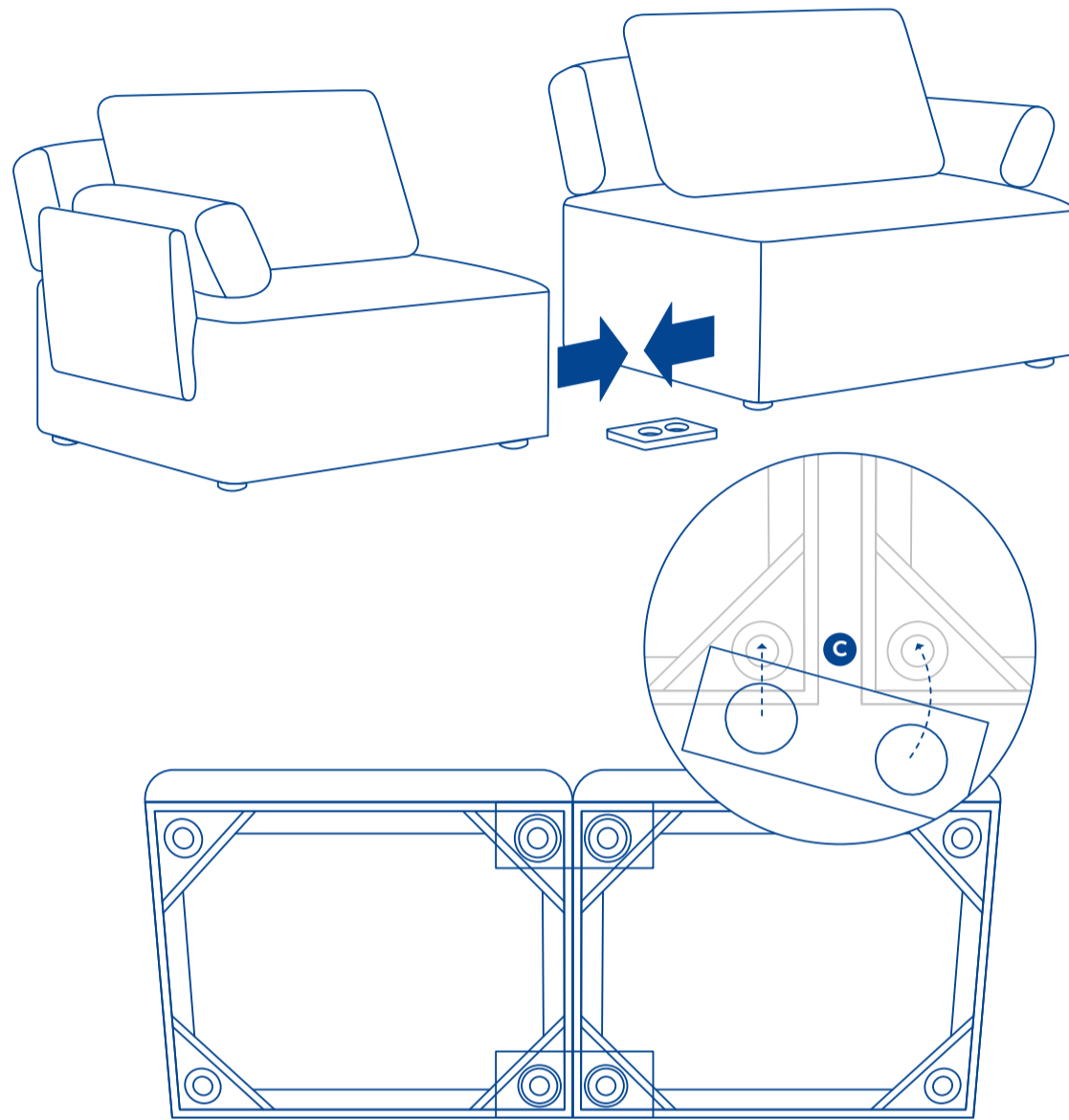
Screw the legs (B) securely onto each corner of the seat frame (A).

3



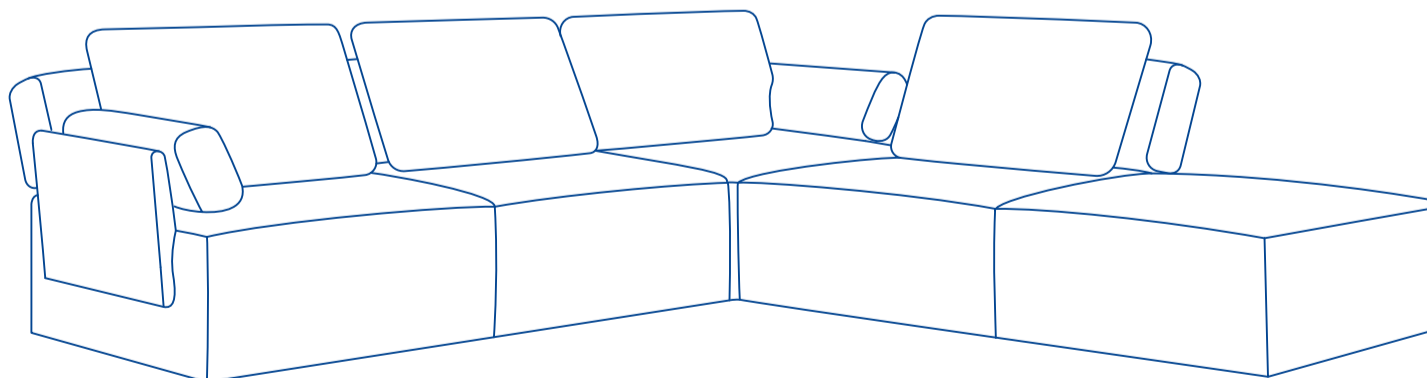
LINKING THE SOFA BED

1



Lift the corner of the seat and slide the wooden connector under one leg then turn the connector and place it under the leg of the adjacent seat.

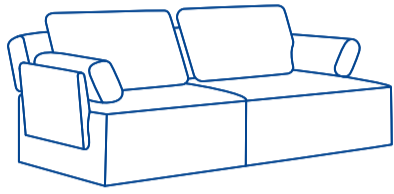
2



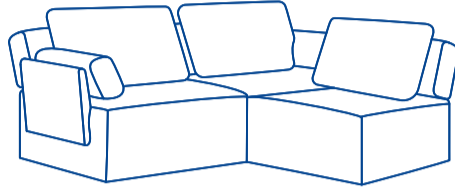
Congratulations! Enjoy your sofa and the combinations it allows into creating a bed.

SOFA BED CONFIGURATIONS

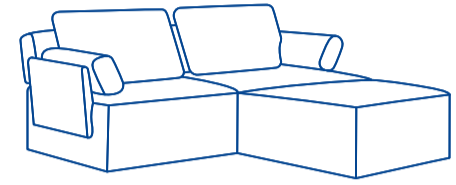
2x Corner Module



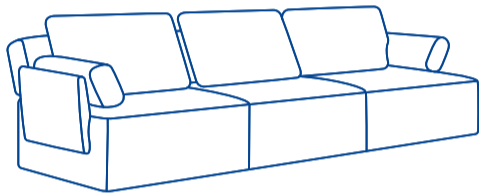
2x Corner Module
1x Armless Module



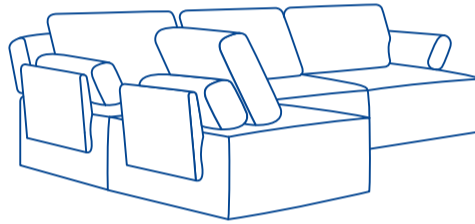
2x Corner Module
1x Ottoman



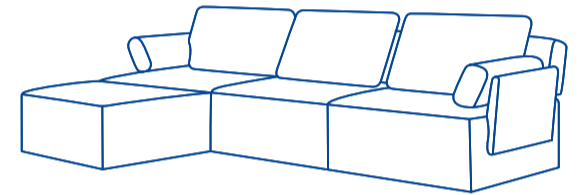
2x Corner Module
1x Armless Module



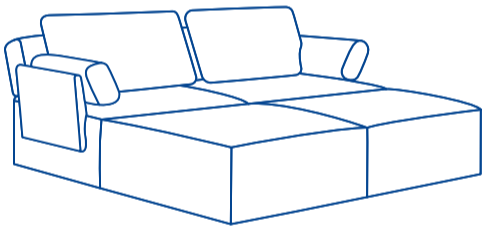
2x Corner Module
2x Armless Module



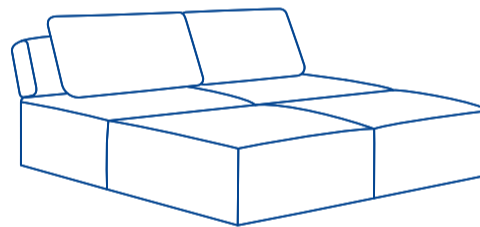
2x Corner Module
1x Armless Module
1x Ottoman



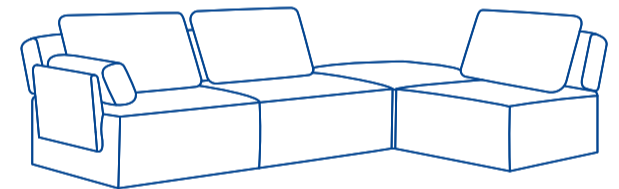
2x Corner Module
2x Ottoman



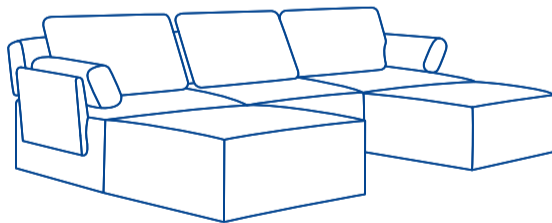
2x Armless Module
2x Ottoman



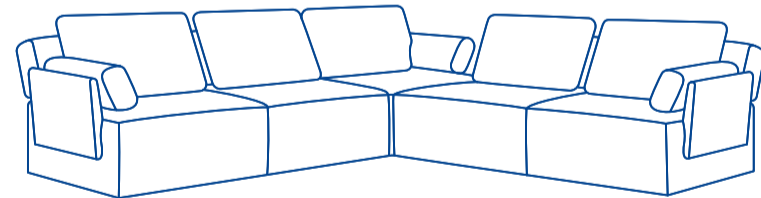
2x Corner Module
1x Armless Module
1x Ottoman



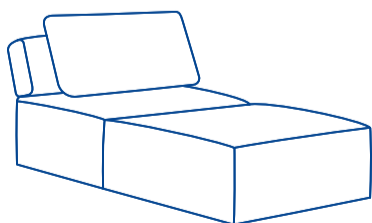
2x Corner Module
2x Armless Module
2x Ottoman



3x Corner Module
2x Armless Module



1x Armless Module
1x Ottoman



1x Corner Module
1x Ottoman

